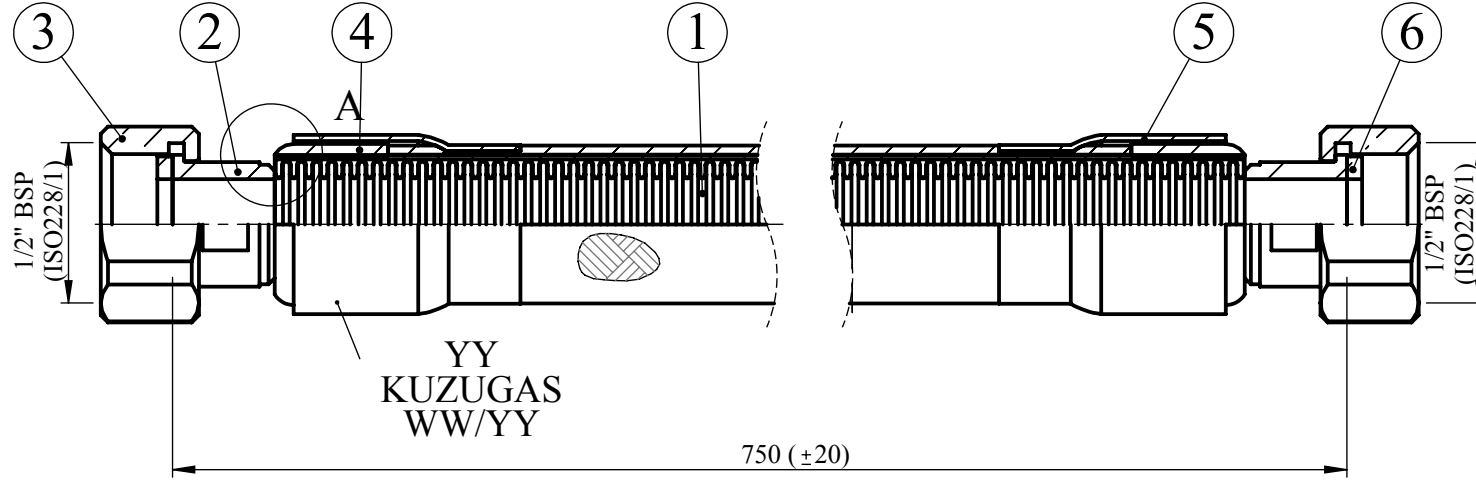


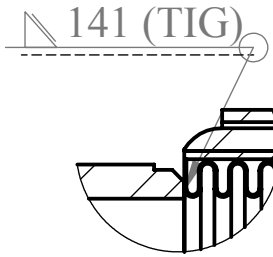
KUZUGAS DN 12 C€ 0051-CPR-0399 EN 14800:2007 GAS MANIFATTURATO-NATURALE-GPL



NOT: TRANSPARAN SARI PVC

NOT: ÜRÜN POŞETLEME MAKİNASINDA UZUNLAMASINA PAKETLENECEKTİR.

MONTAJ NO PART NR	PARÇA ADI / ITEM NAME	RESİM NO/ DRAWING NO	ADET QTY	MALZEME MATERIAL
8	LABEL	0000 0611 36	1	
7	TRANSPARENT NYLON	0000 0600 08	1	
6	1/2" GASKET	0000 0004 44	2	NBR
5	RING 2	0000 0005 92	2	AISI304/1.4301
4	DN12 RING	0000 0005 33	2	AISI304/1.4301
3	1/2" BSP NUT (NICKEL PLATED)	0000 0009 53	2	CW617N/2.0402
2	DN12 LINER	0000 0004 03	2	AISI303/1.4305
1	KZ325 DN12 B + TRANSPARENT YELLOW PVC L=708mm (It is coated with PVC hose)	0000 0041 89	1	HOSE (AISI316L) PVC



DETAY A
ÖLÇEK 2 : 1

Rev.	Description	Date	Drawer	Visa												
1	Etiket değiştirilmiştir. DBF0259	24.05.2016	SEDA ÇAKIR	BAHRİ BİÇİMSEVEN												
0	İlk yayın	06.08.2015	SEDA ÇAKIR	BAHRİ BİÇİMSEVEN												
General Tolerances EN 22768 f	Angles related to shortest side (mm)	Chamfer & Radius (mm)	Linear Dimensions (mm)					A4		KUZUFLEX® Flexible Metal Hoses						
From To	<10 10 50 120 400 >400	0,5 3 >6	<6	6 30 120 120 400 1000 >1000	Scale 1/1	Sheet 1/1										
Surface Roughness EN ISO 1302	Tol.	±1° ±30'	±20'	±10'	±5'	±0.2	±0.5	±1	±0.05	±0.1	±0.15	±0.2	±0.3	±0.5		
ADDITIONAL OPERATION	Heat Treatment	Net Weight	Material	Customer Article No	Item Name			Drawing No		Rev.						
		---		---	KZ325 DN12 B ASSEMBLY L=750mm			0736 0002 00		1						

Certification Level	
Inspection Class	

This drawing and all the information contained can not be used or reproduced, integrity or partially, without written authorization of KUZUFLEX Flexible Metal Hoses