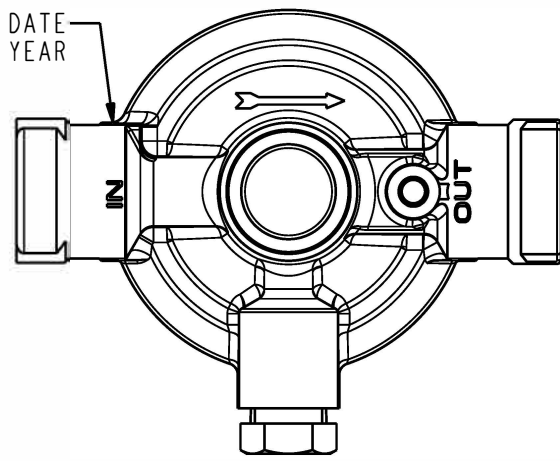
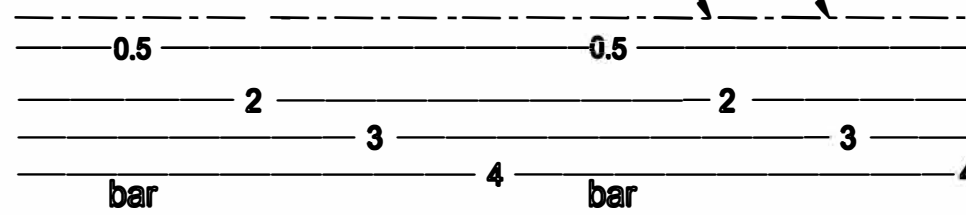


MANUFACTURING DATE  
MONTH (+4) - YEAR

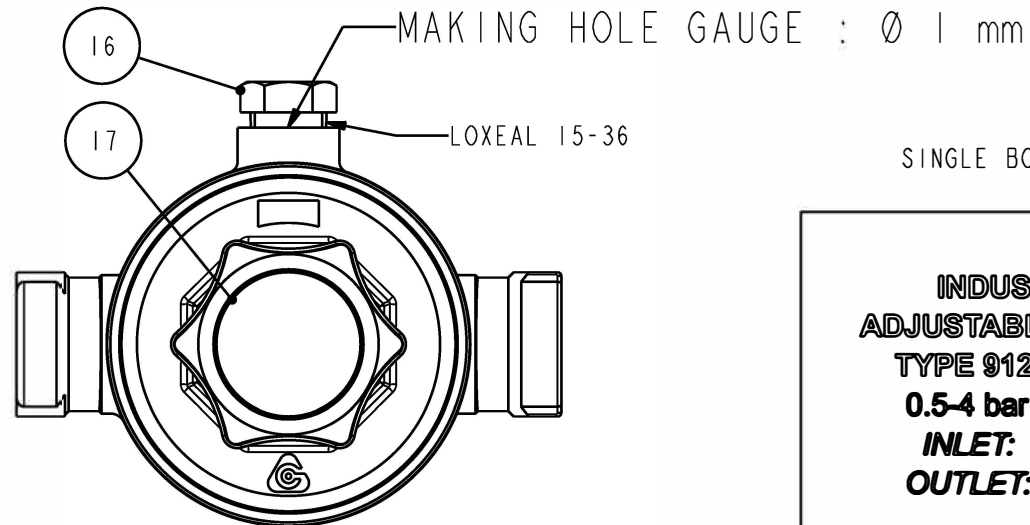
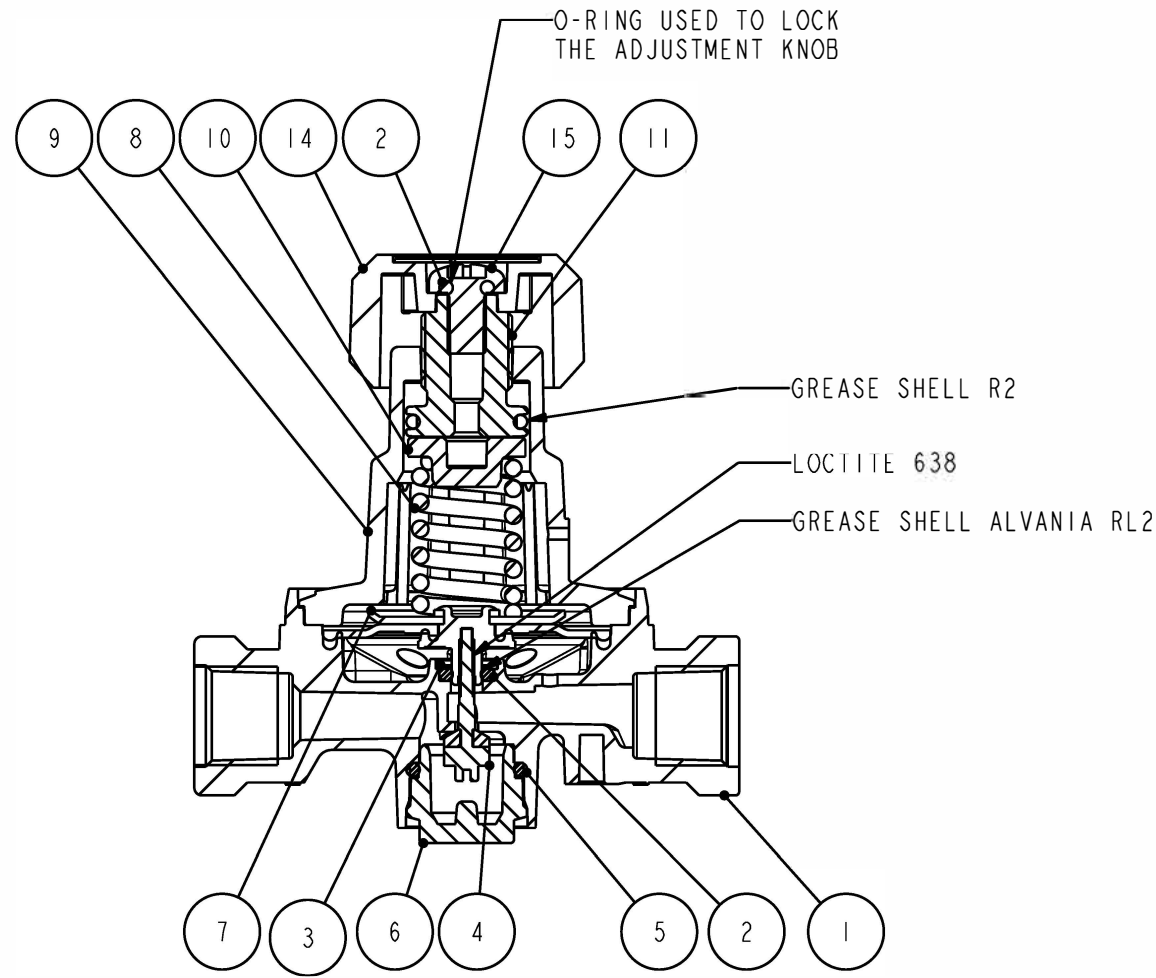
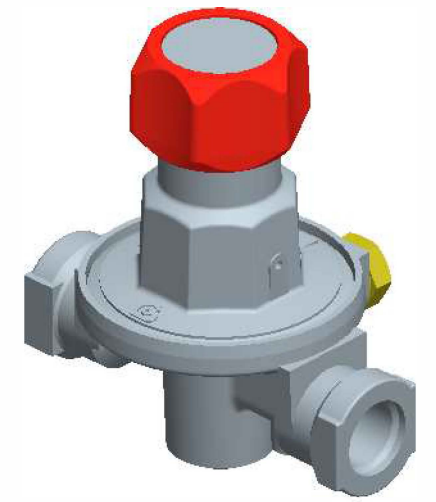
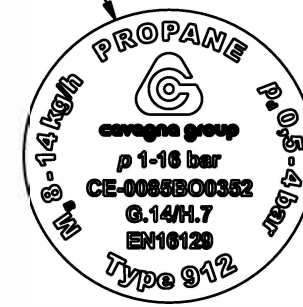


INK STAMP DETAIL (REF. 18-1-310-0052)

up ep plane cover reference



NAMEPLATE



SINGLE BOX LABEL

**INDUSTRIAL H.P.  
ADJUSTABLE REGULATOR  
TYPE 912 - PROPANE  
0.5-4 bar - 8-14 kg/h  
INLET: Rp 1/4" fem.  
OUTLET: Rp 1/4" fem.**

NO	NO PRODUCT	DENOMINATION	Q.TY
1	00-1-150-0371	MACHINED BODY FOR TYPE 91 1/4 F - 1/4 F	1
2	04-1-110-0529	O RING	2
3	15-1-110-0028	RONDELLA	1
4	03-1-950-0045	S/I PISTONCINO (MOD. 91)	1
5	04-1-110-0523	O RING	1
6	16-1-110-0307	TAPPO MOD.91	1
7	09-1-950-0167	S/A DIAPHRAGM FOR TYPE 91	1
8	07-1-110-0245	MOLLA TARATURA MOD.912 0.5±4 bar	1
9	01-1-150-0257	MACHIEND COVER FOR ADJUSTABLE 91	1
10	08-1-110-0046	PREMIMOLLA	1
11	14-1-950-0004	S/I VITE PREMIMOLLA	1
12	24-1-110-0001	WHITE ALUMINIUM RAL 9006	1
13	18-1-310-0052	TIMBRATURA DA ESEGUIRE SUL COPERCHIO TIPO 915	1
14	13-1-110-0069	NOTTOLINO DI REGOLAZIONE	1
15	14-1-110-0034	SCREW-M5 X 8 AUTOFORMANTE SEZIONE TRILOBATA	1
16	19-1-110-0502	PLUG 1/8" - 27 NPT	1
17	18-1-110-2832	NAMEPLATE ADHESIVE FOR TYPE 912	1
18	34-1-110-1220	INSTRUCTION TYPE 912 - EN16129 (EN-IT-GR)	1
19	23-1-210-0080	STANDARD SINGLE BOX	1
20	34-1-210-2932	SINGLE BOX LABEL FOR TYPE 912	1
21	23-1-510-0002	STANDARD BOX (R34)	1

	<b>DENOMINATION</b>		INDUSTRIAL H.P. ADJUSTABLE REGULATOR				PROPANE 0.5-4 bar 8-14 kg/h						
	RECA		MODEL 912		ORIFICE 3		INLET Rp 1/4 ISO7		OUTLET Rp 1/4 ISO7		SHARED N.A.		PROD. INT. GROUP -
PERFORMANCE DOC. 91-006	COUNTRY ITALY	COUNTRY SPECIFIC EN16129	WEIGHT -	SCALE 1:1	MODIFY FILE DM05342	PRODUCT NO		REV		91-1-590-1074 1			
PROD. EVOLUTION DEFINITIVE	PROJECT NO A108	RELEASE LEVEL APPROVED+	DRAWN BY RUSSO R.	VERIFIED BY TOMASELLI L.	APPROVED BY SCHLICK B.	DATE 17/12/15							