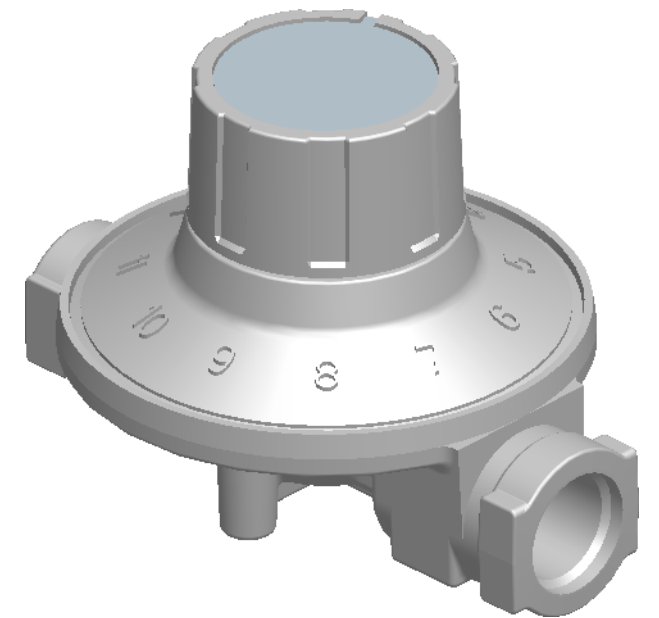
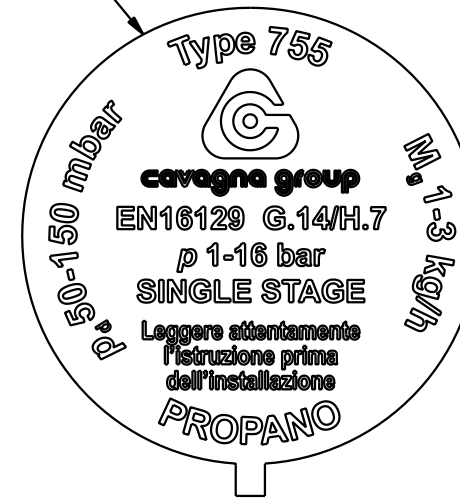


MANUFACTURING DATE
MONTH (+4) - YEAR

SINGLE BOX LABEL

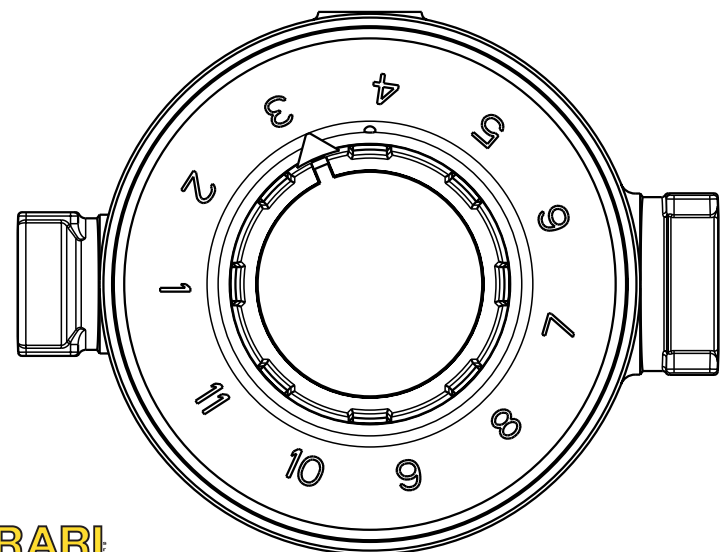
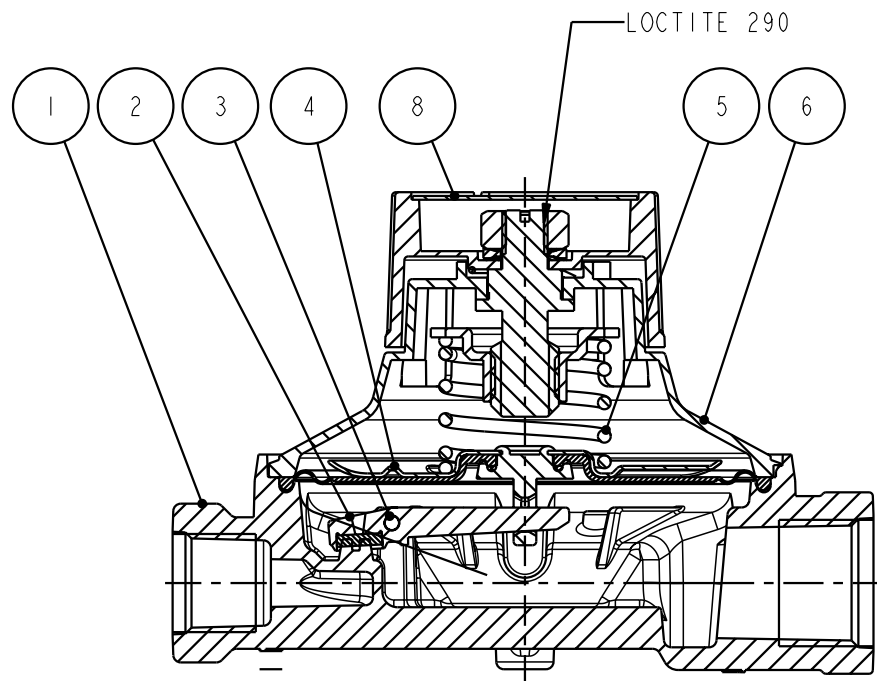
NAMEPLATE

REGOLATORE INDUSTRIALE
SINGLE STAGE REGULATOR
TYPE 755 - PROPANO
50-150 mbar 1-3 kg/h
INLET: G 1/4" fem.
OUTLET: G 3/8" fem.
Leggere attentamente l'istruzione
prima dell'installazione



EXPEDITION BOX LABEL

Cavagna Group Spa
Type of regulator : 755
Cavagna Part Number : 75-1-590-0018
Description: SINGLE STAGE REGULATOR
PROPANE 50-150 mbar 1-3 kg/h
Pcs per carton:
Date:



NO	NO PRODUCT	DENOMINATION	Q.TY
1	00-1-022-1579	SCATOLA MOD. 75 LAVORATA	1
2	02-1-950-0016	S/I LEVETTA ZAMA - PASTICCA VITON	1
3	05-1-110-0001	STANDARD LEVER PIN	1
4	09-1-950-0027	S/A DIAPHRAGM STANDARD	1
5	07-1-110-0108	MOLLA DI TARATURA 75-150 mbar	1
6	01-1-950-0014	S/I COPERCHIO MODELLO 75	1
7	24-1-110-0001	WHITE ALUMINIUM RAL 9006	1
8	18-1-110-2942	NAMEPLATE FOR TYPE 755	1
9	34-1-110-0410	INSTRUCTION TYPE 755 - EN16129 (IT-GR)	1
10	23-1-210-0094	STANDARD SINGLE BOX	1
11	34-1-210-3030	SINGLE BOX LABEL FOR TYPE 755	1
12	23-1-510-0024	STANDARD BOX (R52)	1
13	34-1-210-3053	EXPEDITION BOX LABEL	1

	DENOMINATION		PROPANE 50-150 mbar 1-3 kg/h			
	SINGLE STAGE VARIABLE REGULATOR		N.A.			
RECA	MODEL	ORIFICE	INLET	OUTLET	SHARED	PROD. INT. GROUP
	755	2.3	G 1/4" FEMALE	G 3/8 FEMALE	N.A.	-
PERFORMANCE DOC.	COUNTRY	COUNTRY SPECIFIC	WEIGHT	SCALE	MODIFY FILE	PRODUCT NO
755-003	N.A.	EN16129	-	1:1	DM05476	75-1-590-0018
PROD. EVOLUTION	PROJECT NO	RELEASE LEVEL	DRAWN BY	VERIFIED BY	APPROVED BY	DATE
DEFINITIVE	N.A.	APPROVED+	PEDRINI M.	TOMASELLI L.	SCHLICK B.	23/03/16